

BULLION

Pipe & Tubes LLP

PROVIDING QUALITY PRODUCTS SINCE 1995

HEAVY, LIGHT, AND TWIN SERIES CLAMPS



CONTENTS

STANDARD SERIES CLAMP PARTS	3
STANDARD SERIES PIPE & TUBE CLAMPS	4
STANDARD SERIES PIPE & TUBE STACKING CLAMPS	5
STANDARD SERIES PIPE & TUBE RAIL NUT CLAMPS	6
UNISTRUT PARTS	7
HEAVY SERIES CLAMP PARTS	8
HEAVY SMOOTH CLAMP PARTS	9
HEAVY SERIES PIPE & TUBE CLAMPS	10
HEAVY SERIES PIPE & TUBE STACKING CLAMPS	11
HEAVY SERIES PIPE & TUBE RAIL NUT CLAMPS	12
TWIN SERIES CLAMP PARTS	13
TWIN SERIES PIPE & TUBE CLAMPS	14
TWIN SERIES PIPE & TUBE STACKING CLAMPS	15
TWIN SERIES PIPE & TUBE RAIL NUT CLAMPS	16



STANDARD SERIES CLAMP PARTS

CLAMPS

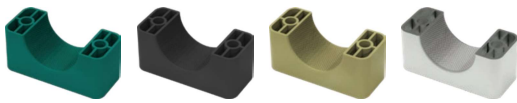
Standard Series Clamps will accommodate pipes, tubes and hoses ranging in size from ¼" OD to 3½" OD. Clamps for tube and metric sizes, other than those listed, can be furnished upon request. A basic clamp assembly consists of a weld plate, two (2) identical clamp halves, a cover plate and two (2) hex head bolts. Standard weld plates and cover plates are furnished in plain carbon steel or zinc plated finish. Stainless Steel hardware is available upon request (type 304 & 316 stainless). Engineering, plant and maintenance personnel appreciate the simplicity, vibration dampening, shock and noise absorbing qualities of this system, which comply with OSHA, nuclear, environmental, ASTM, and Coast Guard standards. Clamping halves are available in Polypropylene (PP) or Santoprene (SA). Both plastic materials are resistant to salt water and most chemicals and oil and offer a wide range of thermal properties. Aluminum clamp halves are also available from stock.

Clamps for Stacking require stacking bolts (LSB) and safety plates (LSP). Rail Mounting allows for faster installation and easier relocation of clamps.

Insert Material
 PP (Polypropylene)
 SP (Santoprene)
 PA (Polyamide)
 AL (Aluminum)

Temperature Range
 -22 to 212 deg F.
 -40 to 302 deg F.
 -40 to 356 deg F.
 -65 to 750 deg F.

Colour
 Green/Black
 Tan
 Black
 Silver



CLAMP INSERTS

GROUP	SIZE	CLAMP O.D.	MM	PART NO.*
1	¼ T	0.250	6.4	1064A-PP
			8.0	1080A-PP
	⅜ T	0.375	9.5	1095A-PP
	½ P	0.405	10.0	1100A-PP
			12.0	1120A-PP
2	½ T	0.500	12.7	2127-PP
	¾ P	0.540	13.7	2137-PP
			14.0	2140-PP
			15.0	2150-PP
	⅝ T	0.625	16.0	2160-PP
	¾ P	0.675	17.1	2171-PP
3	¾ T	0.750	19.0	3190-PP
		0.787	20.0	3200-PP
			20.5	3205-PP
	½ P	0.840	21.3	3213-PP
	⅞ T	0.875	22.2	3222-PP
4	1 T	1.000	25.4	3254-PP
	¾ P	1.050	26.9	4269-PP
	1½ T	0.710	28.0	4280-PP
5		1.180	30.0	4300-PP
	1¼ T	1.250	32.0	5320-PP
	1 P	1.315	33.7	5337-PP
	1½ T	1.500	38.0	5380-PP
		1.570	40.0	5400-PP
6	1¼ P	1.660	42.4	5424-PP
	1¾ T	1.750	44.5	6445-PP
	1½ P	1.900	48.3	6483-PP
	2 T	2.000	50.8	6508-PP
7	2¼ T	2.250	57.2	7572-PP
	2 P	2.375	60.3	7603-PP
	2¾ T	2.750	70.0	7700-PP
	2½ P	3.000	73.0	7730-PP
8	3 T	3.000	76.2	7762-PP
	3 P	3.000	88.9	8889-PP

*Specify clamp material: PP = Polypropylene, SP = Santoprene, AL = Aluminum

2 BOLT SINGLE COVER PLATE	2 BOLT SINGLE WELD PLATE	ELONGATED PLATE	HEX BOLT**
LCP-1	LWP-1	ELH-0, ELH-1	HEX-1
LCP-2	LWP-2	ELH-2	HEX-2
LCP-3	LWP-3	ELH-3	HEX-3
LCP-4	LWP-4	ELH-4	HEX-4
LCP-5	LWP-5	ELH-5	HEX-5
LCP-6	LWP-6	ELH-6	HEX-6
LCP-7	LWP-7	ELH-7	HEX-7
LCP-8	LWP-8	ELH-8	HEX-8

**Two pieces required per assembly

SAFETY PLATE	STACKING BOLT**	RAIL NUT**	MOUNTING RAIL
LSP-1	LSB-1	LRN-1-8 USE WITH LR-1/6FT	LR-1/6FT USE WITH LRN-1-8
LSP-2	LSB-2		
LSP-3	LSB-3		
LSP-4	LSB-4		
LSP-5	LSB-5		RAL-1/6FT USE WITH LWP-1-7
LSP-6	LSB-6		
LSP-7	LSB-7		
LSP-8	LSB-8		

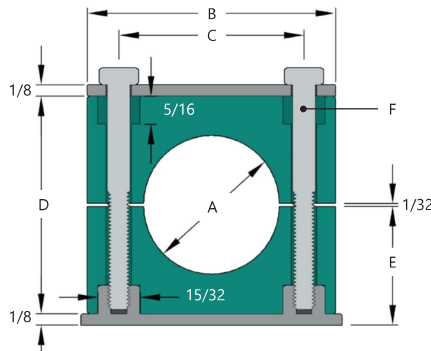
**Two pieces required per assembly



Email - Sales@bullionpipe.com Web:- www.bullionpipe.com

STANDARD SERIES PIPE & TUBE CLAMPS

CLAMPS

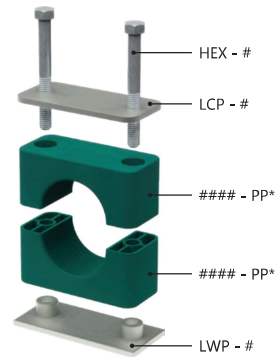


CLAMP INSERTS

GROUP	PART NO.*	PIPE/TUBE SIZE (INCHES)	CLAMP O.D. A	PIPE/TUBE SIZE (MM)	B	C	D	E	BOLT LENGTH F
1	1064A-PP-LCP-LWP	¼ T	0.250"	6.4					
	1080A-PP-LCP-LWP			8.0					
	1095A-PP-LCP-LWP	⅜ T	0.375"	9.5	1 ⅜"	0.790"	1 ⅝"	0.6875"	1 ¼"
	1100A-PP-LCP-LWP	⅜ P	0.405"	10.0					
	1120A-PP-LCP-LWP			12.0					
2	2127-PP-LCP-LWP	½ T	0.500"	12.7					
	2137-PP-LCP-LWP	¼ P	0.540"	13.7					
	2140-PP-LCP-LWP			14.0					
	2150-PP-LCP-LWP			15.0	1 ⅝"	1.020"	1 ⅝"	0.8125"	1 ½"
	2160-PP-LCP-LWP	⅝ T	0.625"	16.0					
3	2171-PP-LCP-LWP	⅝ P	0.675"	17.1					
	2180-PP-LCP-LWP			18.0					
	3190-PP-LCP-LWP	¾ T	0.750"	19.0					
	3200-PP-LCP-LWP		0.787"	20.0					
	3205-PP-LCP-LWP			20.5	1 ⅝"	1.300"	1 ⅝"	0.8125"	1 ½"
4	3213-PP-LCP-LWP	½ P	0.840"	21.3					
	3222-PP-LCP-LWP	⅞ T	0.875"	22.2					
	3254-PP-LCP-LWP	1 T	1.000"	25.4					
	4269-PP-LCP-LWP	¾ P	1.050"	26.9	2 ¼"	1.580"	1 ⅝"	0.9375"	1 ¾"
	4280-PP-LCP-LWP	1 ⅜ T	0.710"	28.0					
5	4300-PP-LCP-LWP		1.180"	30.0					
	5320-PP-LCP-LWP	1 ¾ T	1.250"	32.0					
	5337-PP-LCP-LWP	1 P	1.315"	33.7					
	5380-PP-LCP-LWP	1 ½ T	1.500"	38.0	2 ¾"	2.050"	2 ⅝"	1.3125"	2 ½"
	5400-PP-LCP-LWP		1.570"	40.0					
6	5424-PP-LCP-LWP	1 ¾ P	1.660"	42.4					
	6445-PP-LCP-LWP	1 ¾ T	1.750"	44.5					
	6483-PP-LCP-LWP	1 ½ P	1.900"	48.3	3 ⅝"	2.600"	2 ⅝"	1.4375"	2 ¾"
	6508-PP-LCP-LWP	2 T	2.000"	50.8					
	7572-PP-LCP-LWP	2 ¼ T	2.250"	57.2					
7	7603-PP-LCP-LWP	2 P	2.375"	60.3					
	7700-PP-LCP-LWP	2 ¾ T	2.750"	70.0	5"	4.250"	4 ⅝"	1.3125"	4 ½"
	7730-PP-LCP-LWP	2 ½ P	3.000"	73.0					
	7762-PP-LCP-LWP	3 T	3.000"	76.2					
	8889-PP-LCP-LWP	3 P	3.000"	88.9	5"	4.25"	4 ⅝"	1.3125"	4 ½"

* Specify clamp material: PP = Polypropylene, SP = Santoprene, AL = Aluminum, PA = Polyamide
 Above kits include two (2) clamp halves, one (1) cover plate, one (1) weld plate and two (2) hex bolts
 304SS and 316LSS material available on request

CLAMP PARTS



* Specify clamp material: PP = Polypropylene, SP = Santoprene, AL = Aluminum, PA = Polyamide

THERMAL PROPERTIES

Polypropylene (PP)

Temperature Range (Brief Exposure)	-22°F to + 215°F (-30°C to + 102°C)
Temperature Range (Continuous Exposure)	-22°F to + 194°F (-30°C to + 90°C)

Santoprene (SP)

Temperature Range (Brief Exposure)	-40°F to + 302°F (-40°C to + 150°C)
Temperature Range (Continuous Exposure)	-40°F to + 275°F (-40°C to + 135°C)

Aluminum (AL)†

Temperature Range (Brief Exposure)	-65°F to + 750°F (-54°C to + 399°C)
Temperature Range (Continuous Exposure)	-65°F to + 500°F (-54°C to + 260°C)

Polyamide (PA)

Temperature Range (Brief Exposure)	-40°F to + 356°F (-40°C to + 180°C)
Temperature Range (Continuous Exposure)	-40°F to + 284°F (-40°C to + 140°C)

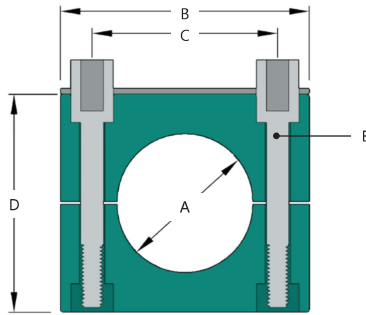
† Tensile and fatigue strength rise as temperature decreases. The tensile elongation decreases as the temperature decreases.



Email - Sales@bullionpipe.com Web:- www.bullionpipe.com

STANDARD SERIES PIPE & TUBE STACKING CLAMPS

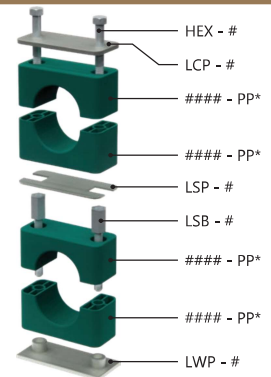
CLAMPS



CLAMP INSERTS

GROUP	PART NO. *	PIPE/TUBE SIZE (INCHES)	CLAMP O.D. A	PIPE/TUBE SIZE (MM)	B	C	D	BOLT LENGTH E
1	1064A-PP-LSB-LSP	¼ T	0.250"	6.4	1 3/8"	0.790"	1 1/8"	1 1/4"
	1080A-PP-LSB-LSP			8.0				
	1095A-PP-LSB-LSP	3/8 T	0.375"	9.5				
	1100A-PP-LSB-LSP	3/8 P	0.405"	10.0				
	1120A-PP-LSB-LSP			12.0				
2	2127-PP-LSB-LSP	1/2 T	0.500"	12.7	1 1/8"	1.020"	1 3/8"	1 1/2"
	2137-PP-LSB-LSP	1/4 P	0.540"	13.7				
	2140-PP-LSB-LSP			14.0				
	2150-PP-LSB-LSP			15.0				
	2160-PP-LSB-LSP	5/8 T	0.625"	16.0				
	2171-PP-LSB-LSP	3/8 P	0.675"	17.1				
3	3190-PP-LSB-LSP	3/4 T	0.750"	19.0	1 7/8"	1.300"	1 3/8"	1 1/2"
	3200-PP-LSB-LSP		0.787"	20.0				
	3205-PP-LSB-LSP			20.5				
	3213-PP-LSB-LSP	1/2 P	0.840"	21.3				
	3222-PP-LSB-LSP	7/8 T	0.875"	22.2				
4	3254-PP-LSB-LSP	1 T	1.000"	25.4	2 1/4"	1.580"	1 1/8"	1 3/4"
	4269-PP-LSB-LSP	3/4 P	1.050"	26.9				
	4300-PP-LSB-LSP		1.180"	30.0				
5	5320-PP-LSB-LSP	1 1/4 T	1.250"	32.0	2 3/4"	2.050"	2 3/8"	2 1/2"
	5337-PP-LSB-LSP	1 P	1.315"	33.7				
	5380-PP-LSB-LSP	1 1/2 T	1.500"	38.0				
	5400-PP-LSB-LSP		1.570"	40.0				
	5424-PP-LSB-LSP	1 3/4 P	1.660"	42.4				
6	6445-PP-LSB-LSP	1 3/4 T	1.750"	44.5	3 3/8"	2.600"	2 5/8"	2 3/4"
	6483-PP-LSB-LSP	1 1/2 P	1.900"	48.3				
	6508-PP-LSB-LSP	2 T	2.000"	50.8				
7	7572-PP-LSB-LSP	2 1/4 T	2.250"	57.2	5"	4.250"	4 3/8"	4 1/2"
	7603-PP-LSB-LSP	2 P	2.375"	60.3				
	7700-PP-LSB-LSP	2 3/4 T	2.750"	70.0				
	7730-PP-LSB-LSP	2 1/2 P	3.000"	73.0				
8	7762-PP-LSB-LSP	3 T	3.000"	76.2	5"	4.250"	4 3/8"	4 1/2"
	8889-PP-LSB-LSP	3 P	3.000"	88.9				

CLAMP PARTS



* Specify clamp material: PP = Polypropylene, SP = Santoprene, AL = Aluminum, PA = Polyamide

THERMAL PROPERTIES

Polypropylene (PP)

Temperature Range (Brief Exposure)	-22°F to + 215°F (-30°C to + 102°C)
Temperature Range (Continuous Exposure)	-22°F to + 194°F (-30°C to + 90°C)

Santoprene (SP)

Temperature Range (Brief Exposure)	-40°F to + 302°F (-40°C to + 150°C)
Temperature Range (Continuous Exposure)	-40°F to + 275°F (-40°C to + 135°C)

Aluminum (AL)†

Temperature Range (Brief Exposure)	-65°F to + 750°F (-54°C to + 399°C)
Temperature Range (Continuous Exposure)	-65°F to + 500°F (-54°C to + 260°C)

Polyamide (PA)

Temperature Range (Brief Exposure)	-40°F to + 356°F (-40°C to + 180°C)
Temperature Range (Continuous Exposure)	-40°F to + 284°F (-40°C to + 140°C)

* Specify clamp material: PP = Polypropylene, SP = Santoprene, AL = Aluminum, PA = Polyamide
Above kits include two (2) clamp halves, two (2) stacking bolts and one (1) safety plate.

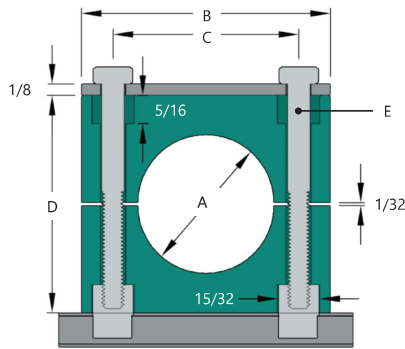
† Tensile and fatigue strength rise as temperature decreases. The tensile elongation decreases as the temperature decreases.



Email - Sales@bullionpipe.com Web:- www.bullionpipe.com

STANDARD SERIES PIPE & TUBE RAIL NUT CLAMPS

CLAMPS

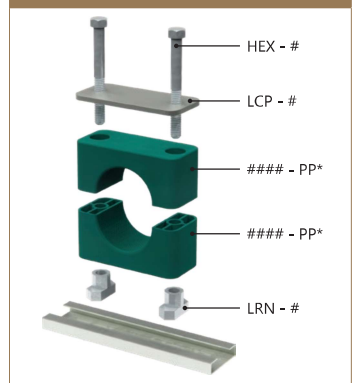


CLAMP INSERTS

GROUP	PART NO. *	PIPE/TUBE SIZE (INCHES)	CLAMP O.D. A	PIPE/TUBE SIZE (MM)	B	C	D	BOLT LENGTH E
1	1064A-PP-LCP-LRN	¼ T	0.250"	6.4	1 3/8"	0.790"	1 1/8"	1 3/4"
	1080A-PP-LCP-LRN			8.0				
	1095A-PP-LCP-LRN	¾ T	0.375"	9.5				
	1100A-PP-LCP-LRN	¾ P	0.405"	10.0				
	1120A-PP-LCP-LRN			12.0				
2	2127-PP-LCP-LRN	½ T	0.500"	12.7	1 5/8"	1.020"	1 3/8"	1 1/2"
	2137-PP-LCP-LRN	¼ P	0.540"	13.7				
	2140-PP-LCP-LRN			14.0				
	2150-PP-LCP-LRN			15.0				
	2160-PP-LCP-LRN	¾ T	0.625"	16.0				
	2171-PP-LCP-LRN	¾ P	0.675"	17.1				
	2180-PP-LCP-LRN			18.0				
3	3190-PP-LCP-LRN	¾ T	0.750"	19.0	1 7/8"	1.300"	1 3/8"	1 1/2"
	3200-PP-LCP-LRN		0.787"	20.0				
	3205-PP-LCP-LRN			20.5				
	3213-PP-LCP-LRN	½ P	0.840"	21.3				
	3222-PP-LCP-LRN	¾ T	0.875"	22.2				
	3254-PP-LCP-LRN	1 T	1.000"	25.4				
4	4269-PP-LCP-LRN	¾ P	1.050"	26.9	2 1/4"	1.580"	1 5/8"	1 3/4"
	4280-PP-LCP-LRN	1 3/8 T	0.710"	28.0				
	4300-PP-LCP-LRN		1.180"	30.0				
5	5320-PP-LCP-LRN	1 3/4 T	1.250"	32.0	2 3/4"	2.050"	2 3/8"	2 1/2"
	5337-PP-LCP-LRN	1 P	1.315"	33.7				
	5380-PP-LCP-LRN	1 1/2 T	1.500"	38.0				
	5400-PP-LCP-LRN		1.570"	40.0				
	5424-PP-LCP-LRN	1 3/4 P	1.660"	42.4				
6	6445-PP-LCP-LRN	1 3/4 T	1.750"	44.5	3 3/8"	2.600"	2 5/8"	2 3/4"
	6483-PP-LCP-LRN	1 1/2 P	1.900"	48.3				
	6508-PP-LCP-LRN	2 T	2.000"	50.8				
7	7572-PP-LCP-LRN	2 3/4 T	2.250"	57.2	5"	4.250"	4 3/8"	4 1/2"
	7603-PP-LCP-LRN	2 P	2.375"	60.3				
	7700-PP-LCP-LRN	2 3/4 T	2.750"	70.0				
	7730-PP-LCP-LRN	2 1/2 P	3.000"	73.0				
	7762-PP-LCP-LRN	3 T	3.000"	76.2				
8	8889-PP-LCP-LRN	3 P	3.000"	88.9	5"	4.250"	4 3/8"	4 1/2"

* Specify clamp material: PP = Polypropylene, SP = Santoprene, AL = Aluminum, PA = Polyamide
 Above kits include two (2) clamp halves, one (1) cover plate, two (2) rail nuts and two (2) hex bolts

CLAMP PARTS



* Specify clamp material: PP = Polypropylene, SP = Santoprene, AL = Aluminum, PA = Polyamide

THERMAL PROPERTIES

Polypropylene (PP)	
Temperature Range (Brief Exposure)	-22°F to + 215°F (-30°C to + 102°C)
Temperature Range (Continuous Exposure)	-22°F to + 194°F (-30°C to + 90°C)
Santoprene (SP)	
Temperature Range (Brief Exposure)	-40°F to + 302°F (-40°C to + 150°C)
Temperature Range (Continuous Exposure)	-40°F to + 275°F (-40°C to + 135°C)
Aluminum (AL)†	
Temperature Range (Brief Exposure)	-65°F to + 750°F (-54°C to + 399°C)
Temperature Range (Continuous Exposure)	-65°F to + 500°F (-54°C to + 260°C)
Polyamide (PA)	
Temperature Range (Brief Exposure)	-40°F to + 356°F (-40°C to + 180°C)
Temperature Range (Continuous Exposure)	-40°F to + 284°F (-40°C to + 140°C)

† Tensile and fatigue strength rise as temperature decreases. The tensile elongation decreases as the temperature decreases.



Email - Sales@bullionpipe.com Web:- www.bullionpipe.com

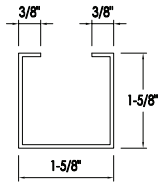
UNISTRUT PARTS

CLAMPS

UNI-10



- 10' Galvanized Unistrut Rail
- Available in 4' lengths (Part # UNI-4)

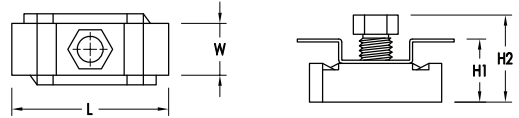


CRA-HS-345



- Group 3-4-5 Heavy Series Unistrut Rail Nuts

L	W	H1	H2	THREAD
1.500 in. (38 mm)	0.980 in. (25 mm)	0.728 in. (18.5 mm)	1.083 in. (27.5 mm)	3/8 - 16 UNC

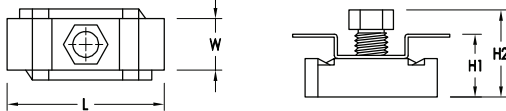


CRA-HS-6



- Group 6 Heavy Series Unistrut Rail Nuts

L	W	H1	H2	THREAD
1.790 in. (44 mm)	0.980 in. (25 mm)	0.610 in. (15.5 mm)	0.990 in. (25 mm)	7/16 - 14 UNC

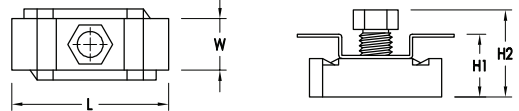


CRA-TS-23



- Group 2-3 Twin Series Unistrut Rail Nuts

L	W	H1	H2	THREAD
1.500 in. (38 mm)	2.090 in. (53 mm)	0.730 in. (18.5 mm)	1.080 in. (27.5 mm)	5/18 - 18 UNC

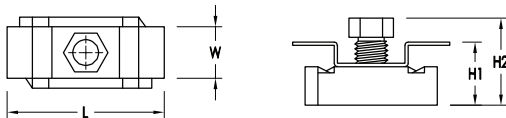


CRA-1-8D



- Group 1-8 Light Series Unistrut Rail Nuts

L	W	H1	H2	THREAD
1.600 in. (41 mm)	0.640 in. (16 mm)	0.525 in. (13 mm)	0.813 in. (21 mm)	3/8 - 16 UNC



NOTE: All parts available in Stainless Steel

BULLION
Pipe & Tubes LLP

Email - Sales@bullionpipe.com Web:- www.bullionpipe.com

HEAVY SERIES CLAMP PARTS

CLAMPS

Heavy Series Clamps are available in a single heavy (SH) unit two (2) bolt design, or a double heavy (DH) unit four (4) bolt design. Clamps are designed to absorb shock and vibration and reduce noise from installations, such as: steel mills, power plants, ship building, off-highway equipment, off-shore drilling platforms, high pressure hydraulic machinery, etc. Heavy series clamps will accommodate pipes, tubes and hoses ranging in size from ¼" to 8½" O.D. Metric sizes available upon request. A basic clamp assembly consists of: a weld plate, two (2) identical clamp halves, a cover plate and two (2) hex head bolts. Weld and cover plates are made from low carbon steel material. Stainless steel and plated hardware available for all groups. Clamp halves are made of Polypropylene (PP) green or black colour, Santoprene (SP) tan colour, and Aluminum (AL) silver colour. Heavy series clamps of the same group may be stacked vertically to desired number by using stacking bolts (HSB) and safety plates (HSP).

Material Hardware

All components and accessories are available in Carbon Steel ST430 with finishing surface in white zinc-coated Fe Zn c8 II. Stainless Steel inox 316L (X2 CrNiMo17-12-2) 1.4404

Insert Material

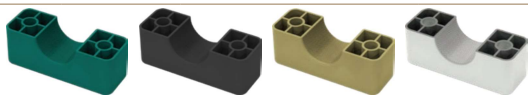
PP (Polypropylene)
SP (Santoprene)
PA (Polyamide)
AL (Aluminum)

Temperature Range

-22 to 212 deg F.
-40 to 302 deg F.
-40 to 356 deg F.
-65 to 750 deg F.

Colour

Green/Black
Tan
Black
Silver



CLAMP INSERTS

GROUP	SIZE	CLAMP OD	MM	PART NO.*
H3	¼ T	0.250	6.4	H3064-PP
	¾ P	0.375	9.5	H3095-PP
	½ P	0.405	10.0	H3100-PP
	½ T	0.500	12.7	H3127-PP
	¼ P	0.540	13.7	H3137-PP
	¾ T	0.625	15.0	H3150-PP
	¾ P	0.625	16.0	H3160-PP
	¾ P	0.675	17.1	H3171-PP
			18.0	H3180-PP
			20.0	H3200-PP
H4	¾ T	0.750	19.0	H4190-PP
			20.0	H4200-PP
	½ P	0.840	21.3	H4213-PP
	¾ T	0.875	22.2	H4222-PP
	1 T	1.000	25.4	H4254-PP
H5	¾ P	1.050	26.9	H4269-PP
			30.0	H4300-PP
	1¼ T	1.250	32.0	H5320-PP
	1 P	1.315	33.7	H5337-PP
			35.0	H5350-PP
H6	1½ T	1.500	38.0	H5380-PP
		1.570	40.0	H5400-PP
	1¼ P	1.660	42.4	H5424-PP
	1¼ P	1.660	42.4	H6424-PP
	1¾ T	1.750	44.5	H6445-PP
	1½ P	1.900	48.3	H6483-PP
	2 T	2.000	50.8	H6508-PP
	2¼ T	2.250	57.2	H6572-PP
	2 P	2.375	60.3	H6603-PP
	2½ T	2.500	63.5	H6635-PP
H7	2¾ T	2.750	70.0	H6700-PP
	2¾ P	2.750	70.0	H7700-PP
	2½ P	2.875	73.0	H7730-PP
	3 T	3.000	76.1	H7761-PP
	3 P / 3½ T	3.500	88.9	H7889-PP
H8	4 T	4.000	102.0	H8102-PP
	4 P / 4½ T	4.500	114.0	H8114-PP
	5 T	5.000	127.0	H9127-PP
H9	5¼ T	5.250	133.0	H9133-PP
	5 P	5.563	141.0	H9141-PP
	6 T	6.000	152.0	H9152-PP
	6 P	6.625	168.0	H9168-PP
	6 P	6.625	168.0	H10168-PP
H10	8 T	8.000	203.0	H10203-PP
	8 P	8.625	219.0	H10219-PP

*Specify clamp material: PP = Polypropylene, SP = Santoprene, AL= Aluminum

2 BOLT SINGLE HEAVY COVER PLATE	2 BOLT SINGLE WELD PLATE	HEX BOLT **
HCP-3	HWP-3	HEX-H3
HCP-4	HWP-4	HEX-H4
HCP-5	HWP-5	HEX-H5
HCP-6	HWP-6	HEX-H6
HCP-7	HWP-7	HEX-H7
HCP-8	HWP-8	HEX-H8
HCP-9	HWP-9	HEX-H9
HCP-10	HWP-10	HEX-H10

**Two pieces required per assembly

4 BOLT DOUBLE WELD PLATE	4 BOLT DOUBLE HEAVY COVER PLATE	STACKING BOLT **
HDWP-3	HDCP-3	HSB-3
HDWP-4	HDCP-4	HSB-4
HDWP-5	HDCP-5	HSB-5
HDWP-6	HDCP-6	HSB-6
HDWP-7	HDCP-7	HSB-7
HDWP-8	HDCP-8	HSB-8
HDWP-9	HDCP-9	HSB-9
HDWP-10	HDCP-10	HSB-10

**Two pieces required per assembly

SAFETY PLATE	RAIL NUT **	MOUNTING RAIL
HSP-3	HRN-3-5 Group H3-H5	HR-6 For use with rail nuts Standard length = 2 Meters
HSP-4		
HSP-5		
HSP-6		
HSP-7		
HSP-8	HRN-6 Group H6	
HSP-9		
HSP-10		

**Two pieces required per assembly

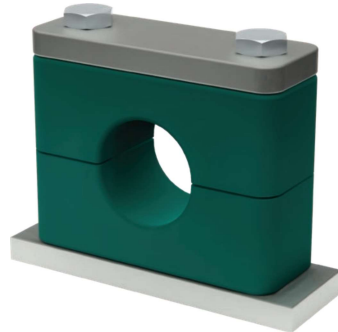
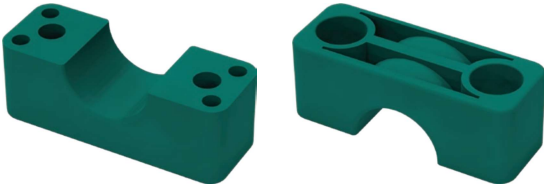


Email - Sales@bullionpipe.com Web:- www.bullionpipe.com

HEAVY SMOOTH CLAMP PARTS

CLAMPS

Heavy Smooth Clamps are available in a single heavy (SH) unit two (2) bolt design. All inserts are green in color. Each clamp body has a smooth inside surface without tension clearance. The inserts are mainly used for hoses or cables.

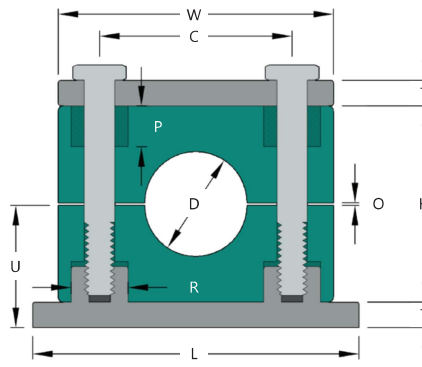


CLAMP INSERTS				
GROUP	SIZE	CLAMP OD	MM	PART NO.*
H4	¾ T	0.750	19.0	H4190-PP-SM
		0.787	20.0	H4200-PP-SM
	½ P	0.839	21.3	H4213-PP-SM
	⅞ T	0.867	22.0	H4220-PP-SM
		0.984	25.0	H4250-PP-SM
	1 T	1.000	25.4	H4254-PP-SM
	¾ P	1.059	26.9	H4269-PP-SM
H5		1.103	28.0	H4280-PP-SM
		1.181	30.0	H4300-PP-SM
		1.181	30.0	H5300-PP-SM
	1¼ T	1.250	32.0	H5320-PP-SM
	1 P	1.327	33.7	H5337-PP-SM
		1.378	35.0	H5350-PP-SM
		1.417	36.0	H5360-PP-SM
	1½ T	1.500	38.0	H5380-PP-SM
		1.575	40.0	H5400-PP-SM
	1¼ P	1.670	42.4	H5424-PP-SM
H6		1.693	43.0	H5430-PP-SM
		1.750	44.5	H5445-PP-SM
		1.772	45.0	H5450-PP-SM
	1 P	1.327	33.7	H6337-PP-SM
	1½ T	1.500	38.0	H6380-PP-SM
		1.575	40.0	H6400-PP-SM
	1¼ P	1.670	42.4	H6424-PP-SM
	1¾ T	1.750	44.5	H6445-PP-SM
		1.772	45.0	H6450-PP-SM
	1½ P	1.900	48.3	H6483-PP-SM
		1.969	50.0	H6500-PP-SM
	2 T	2.000	50.8	H6508-PP-SM
		2.087	53.0	H6530-PP-SM
	1¾ P	2.125	54.0	H6540-PP-SM
		2.165	55.0	H6550-PP-SM
		2.205	56.0	H6560-PP-SM
	2¼ T	2.250	57.2	H6572-PP-SM
2 P	2.374	60.3	H6603-PP-SM	
2½ T	2.500	63.5	H6635-PP-SM	
	2.559	65.0	H6650-PP-SM	
2¾ T	2.750	70.0	H6700-PP-SM	
	2.825	72.0	H6720-PP-SM	



HEAVY SERIES PIPE & TUBE CLAMPS

CLAMPS

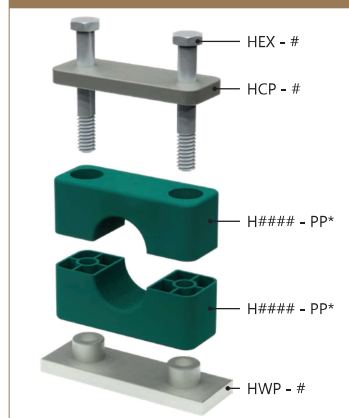


CLAMP INSERTS

GROUP	PART NO.*	PIPE/TUBE SIZE (IN)	CLAMP O.D. D	PIPE/TUBE SIZE (MM)	W	H	C	T	K	L	O	P	R	U	BOLT LENGTH
H3	SH3064-PP	¼ T	0.250	6.4	2.250	1.375	1.30	0.313	1.250	2.875	0.063	0.500	0.698	1.000	¾-16 1¼Lg
	SH3095-PP	⅜ T	0.375	9.5											
	SH3100-PP	⅜ P	0.405	10.0											
	SH3127-PP	½ T	0.500	12.7											
	SH3137-PP	¼ P	0.540	13.7											
	SH3150-PP			15.0											
	SH3160-PP	⅝ T	0.625	16.0											
	SH3171-PP	⅜ P	0.675	17.1											
	SH3180-PP			18.0											
	SH3200-PP			20.0											
H4	SH4190-PP	¾ T	0.750	19.0	2.750	1.875	1.77	0.313	1.250	3.375	0.063	0.500	0.698	1.250	¾-16 2¼Lg
	SH4213-PP	½ P	0.840	21.3											
	SH4200-PP			20.0											
	SH4222-PP	⅞ T	0.875	22.2											
	SH4254-PP	1 T	1.000	25.4											
	SH4269-PP	¾ P	1.050	26.9											
H5	SH4300-PP			30.0	3.375	2.375	2.36	0.313	1.250	4.000	0.063	0.500	0.698	1.500	¾-16 2¾Lg
	SH5320-PP	1¼ T	1.250	32.0											
	SH5337-PP	1 P	1.315	33.7											
	SH5350-PP			35.0											
	SH5380-PP	1½ T	1.500	38.0											
H6	SH5400-PP			40.0	4.500	3.500	3.53	0.375	1.750	5.875	0.125	0.625	0.778	2.125	7/16-14 4 Lg
	SH5424-PP	1¾ P	1.660	42.4											
	SH6424-PP	1¾ P	1.660	42.4											
	SH6445-PP	1¾ T	1.750	44.5											
	SH6483-PP	1½ P	1.900	48.3											
	SH6508-PP	2 T	2.000	50.8											
	SH6572-PP	2¼ T	2.250	57.2											
	SH6603-PP	2 P	2.375	60.3											
H7	SH6635-PP	2½ T	2.500	63.5	6.000	4.750	4.81	0.375	2.250	7.375	0.125	0.750	0.940	2.750	¾-11 5¼Lg
	SH6700-PP	2¾ T	2.750	70.0											
	SH7700-PP	2¾ T	2.750	70.0											
	SH7730-PP	2½ P	2.875	73.0											
H8	SH7761-PP	3 T	3.000	76.1	8.000	6.625	6.62	0.500	3.000	10.000	0.187	1.000	1.188	3.812	¾-10 7¼Lg
	SH7889-PP	3 P	3.500	88.9											
	SH8102-PP	4 T	4.000	102.0											
	SH8114-PP	4 P	4.500	114.0											
	SH9127-PP	5 T	5.000	127.0											
H9	SH9133-PP	5¼ T	5.250	133.0	9.750	7.875	8.06	0.500	3.500	11.750	0.187	1.062	1.375	4.437	7/8-9 8½Lg
	SH9141-PP	5 P	5.563	141.0											
	SH9152-PP	6 T	6.000	152.0											
	SH9168-PP	6 P	6.625	168.0											
H10	SH10168-PP	6 P	6.625	168.0	12.500	10.625	10.43	0.750	4.500	14.500	0.187	1.250	1.375	6.062	1½-7 11½Lg
	SH10203-PP	8 T	8.000	203.0											
SH10219-PP	8 P	8.625	219.0												

* Specify clamp material: PP = Polypropylene, SP = Santoprene, AL = Aluminum, PA = Polyamide
Above kits include two (2) clamp halves, one (1) cover plate, one (1) weld plate and two (2) hex bolts

CLAMP PARTS



* Specify clamp material: PP = Polypropylene, SP = Santoprene, AL = Aluminum, PA = Polyamide

THERMAL PROPERTIES

Polypropylene (PP)

Temperature Range (Brief Exposure)	-22°F to + 215°F (-30°C to + 102°C)
Temperature Range (Continuous Exposure)	-22°F to + 194°F (-30°C to + 90°C)

Santoprene (SP)

Temperature Range (Brief Exposure)	-40°F to + 302°F (-40°C to + 150°C)
Temperature Range (Continuous Exposure)	-40°F to + 275°F (-40°C to + 135°C)

Aluminum (AL)†

Temperature Range (Brief Exposure)	-65°F to + 750°F (-54°C to + 399°C)
Temperature Range (Continuous Exposure)	-65°F to + 500°F (-54°C to + 260°C)

Polyamide (PA)

Temperature Range (Brief Exposure)	-40°F to + 356°F (-40°C to + 180°C)
Temperature Range (Continuous Exposure)	-40°F to + 284°F (-40°C to + 140°C)

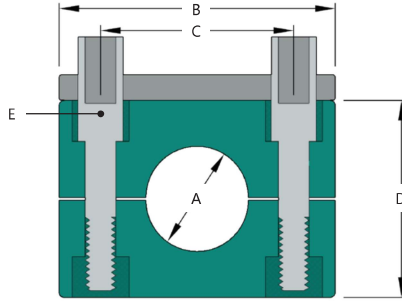
† Tensile and fatigue strength rise as temperature decreases. The tensile elongation decreases as the temperature decreases.

BULLION
Pipe & Tubes LLP

Email - Sales@bullionpipe.com Web:- www.bullionpipe.com

HEAVY SERIES PIPE & TUBE STACKING CLAMPS

CLAMPS

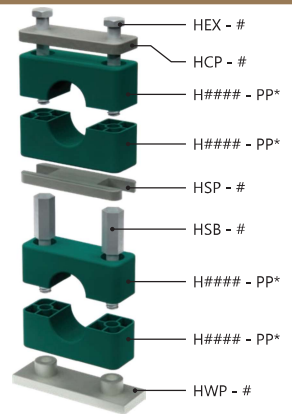


CLAMP INSERTS

GROUP	PART NO.*	PIPE/TUBE SIZE (IN)	CLAMP O.D. A	PIPE/TUBE SIZE (MM)	B	C	D	E	F	G	H	J	BOLT LENGTH
H3	H3064-PP-HSB-HSP	¼ T	0.250	6.4	2.24	1.30	1.375	0.31	0.698	0.500	0.063	¾-16 UNC	0.98
	H3095-PP-HSB-HSP	⅜ T	0.375	9.5									
	H3100-PP-HSB-HSP	⅜ P	0.405	10.0									
	H3127-PP-HSB-HSP	½ T	0.500	12.7									
	H3137-PP-HSB-HSP	¼ P	0.540	13.7									
	H3150-PP-HSB-HSP			15.0									
	H3160-PP-HSB-HSP	⅝ T	0.625	16.0									
	H3171-PP-HSB-HSP	⅝ P	0.675	17.1									
	H3180-PP-HSB-HSP			18.0									
	H3200-PP-HSB-HSP			20.0									
H4	H4190-PP-HSB-HSP	¾ T	0.750	19.0	2.76	1.77	1.875	0.31	0.698	0.500	0.063	¾-16 UNC	1.57
	H4200-PP-HSB-HSP			20.0									
	H4213-PP-HSB-HSP	½ P	0.840	21.3									
	H4222-PP-HSB-HSP	⅞ T	0.875	22.2									
	H4254-PP-HSB-HSP	1 T	1.000	25.4									
	H4269-PP-HSB-HSP	¾ P	1.050	26.9									
	H4300-PP-HSB-HSP			30.0									
H5	H5320-PP-HSB-HSP	1¼ T	1.250	32.0	3.35	2.36	2.375	0.31	0.698	0.500	0.063	¾-16 UNC	2.01
	H5337-PP-HSB-HSP	1 P	1.315	33.7									
	H5337-PP-HSB-HSP			35.0									
	H5380-PP-HSB-HSP	1½ T	1.500	38.0									
	H5400-PP-HSB-HSP		1.570	40.0									
H5424-PP-HSB-HSP	1¾ P	1.660	42.4										
H6	H6424-PP-HSB-HSP	1¾ P	1.660	42.4	4.57	3.53	3.500	0.39	0.778	0.625	0.125	7/16-14 UNC	3.23
	H6445-PP-HSB-HSP	1¾ T	1.750	44.5									
	H6483-PP-HSB-HSP	1½ P	1.900	48.3									
	H6508-PP-HSB-HSP	2 T	2.000	50.8									
	H6572-PP-HSB-HSP	2¼ T	2.250	57.2									
	H6603-PP-HSB-HSP	2 P	2.375	60.3									
	H6635-PP-HSB-HSP	2½ T	2.500	63.5									
H6700-PP-HSB-HSP	2¾ T	2.750	70.0										
H7	H7700-PP-HSB-HSP	2¾ T	2.750	70.0	6.02	4.81	4.750	0.39	0.940	0.750	0.125	¾-11 UNC	4.33
	H7730-PP-HSB-HSP	2½ P	2.875	73.0									
	H7761-PP-HSB-HSP	3 T	3.000	76.1									
	H7889-PP-HSB-HSP	3 P	3.500	88.9									
H8	H8102-PP-HSB-HSP	4 T	4.000	102.0	8.11	6.62	6.625	0.59	1.188	1.000	0.187	¾-10 UNC	5.91
	H8114-PP-HSB-HSP	4 P	4.500	114.0									
	H9127-PP-HSB-HSP	5 T	5.000	127.0									
	H9133-PP-HSB-HSP	5¼ T	5.250	133.0									
H9	H9141-PP-HSB-HSP	5 P	5.563	141.0	9.88	8.06	7.875	0.59	1.375	1.062	0.187	⅞-9 UNC	7.09
	H9152-PP-HSB-HSP	6 T	6.000	152.0									
	H9168-PP-HSB-HSP	6 P	6.625	168.0									
	H10168-PP-HSB-HSP	6 P	6.625	168.0									
H10	H10203-PP-HSB-HSP	8 T	8.000	203.0	12.48	10.43	10.625	0.59	1.375	1.250	0.187	1½-7 UNC	10.08
	H10219-PP-HSB-HSP	8 P	8.625	219.0									

* Specify clamp material: PP = Polypropylene, SP = Santoprene, AL = Aluminum, PA = Polyamide
Above kits include two (2) clamp halves, one (1) safety plate, one and two (2) stacking bolts

CLAMP PARTS



* Specify clamp material: PP = Polypropylene, SP = Santoprene, AL = Aluminum, PA = Polyamide

THERMAL PROPERTIES

Polypropylene (PP)

Temperature Range (Brief Exposure) -22°F to + 215°F (-30°C to + 102°C)

Temperature Range (Continuous Exposure) -22°F to + 194°F (-30°C to + 90°C)

Santoprene (SP)

Temperature Range (Brief Exposure) -40°F to + 302°F (-40°C to + 150°C)

Temperature Range (Continuous Exposure) -40°F to + 275°F (-40°C to + 135°C)

Aluminum (AL)†

Temperature Range (Brief Exposure) -65°F to + 750°F (-54°C to + 399°C)

Temperature Range (Continuous Exposure) -65°F to + 500°F (-54°C to + 260°C)

Polyamide (PA)

Temperature Range (Brief Exposure) -40°F to + 356°F (-40°C to + 180°C)

Temperature Range (Continuous Exposure) -40°F to + 284°F (-40°C to + 140°C)

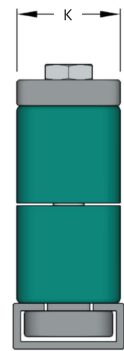
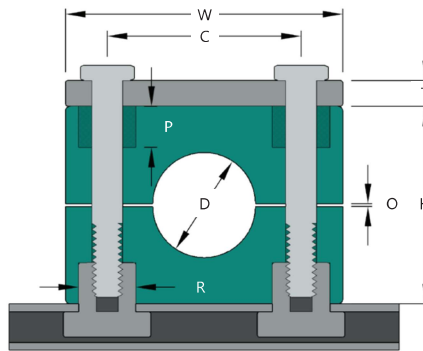
† Tensile and fatigue strength rise as temperature decreases. The tensile elongation decreases as the temperature decreases.



Email - Sales@bullionpipe.com Web:- www.bullionpipe.com

HEAVY SERIES PIPE & TUBE RAIL NUT CLAMPS

CLAMPS

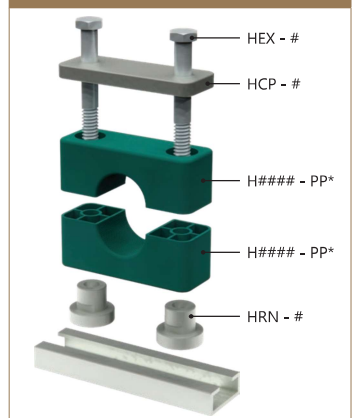


CLAMP INSERTS

GROUP	PART NO.*	PIPE/TUBE SIZE (IN)	CLAMP O.D. D	PIPE/TUBE SIZE (MM)	W	H	C	T	K	O	P	R	BOLT LENGTH
H3	H3064-PP-HCP-HRN	¼ T	0.250	6.4	2.250	1.375	1.30	0.313	1.250	0.063	0.500	0.698	¾-16 1¼Lg
	H3095-PP-HCP-HRN	⅜ T	0.375	9.5									
	H3100-PP-HCP-HRN	⅜ P	0.405	10.0									
	H3127-PP-HCP-HRN	½ T	0.500	12.7									
	H3137-PP-HCP-HRN	¼ P	0.540	13.7									
	H3150-PP-HCP-HRN			15.0									
	H3160-PP-HCP-HRN	⅝ T	0.625	16.0									
	H3171-PP-HCP-HRN	⅝ P	0.675	17.1									
	H3180-PP-HCP-HRN			18.0									
	H3200-PP-HCP-HRN			20.0									
H4	H4190-PP-HCP-HRN	¾ T	0.750	19.0	2.750	1.875	1.77	0.313	1.250	0.063	0.500	0.698	¾-16 2¼Lg
	H4200-PP-HCP-HRN			20.0									
	H4213-PP-HCP-HRN	½ P	0.840	21.3									
	H4222-PP-HCP-HRN	⅞ T	0.875	22.2									
	H4254-PP-HCP-HRN	1 T	1.000	25.4									
	H4269-PP-HCP-HRN	¾ P	1.050	26.9									
	H4300-PP-HCP-HRN			30.0									
H5	H5320-PP-HCP-HRN	1¼ T	1.250	32.0	3.375	2.375	2.36	0.313	1.250	0.063	0.500	0.698	¾-16 2¾Lg
	H5337-PP-HCP-HRN	1 P	1.315	33.7									
	H5350-PP-HCP-HRN			35.0									
	H5380-PP-HCP-HRN	1½ T	1.500	38.0									
	H5400-PP-HCP-HRN			40.0									
H6	H5424-PP-HCP-HRN	1¾ P	1.660	42.4	4.500	3.500	3.53	0.375	1.750	0.125	0.625	0.778	¾-14 4 Lg
	H6424-PP-HCP-HRN	1¾ P	1.660	42.4									
	H6445-PP-HCP-HRN	1¾ T	1.750	44.5									
	H6483-PP-HCP-HRN	1½ P	1.900	48.3									
	H6508-PP-HCP-HRN	2 T	2.000	50.8									
	H6572-PP-HCP-HRN	2¼ T	2.250	57.2									
	H6603-PP-HCP-HRN	2 P	2.375	60.3									
H7	H6635-PP-HCP-HRN	2½ T	2.500	63.5	6.000	4.750	4.81	0.375	2.250	0.125	0.750	0.940	¾-11 5¼Lg
	H6700-PP-HCP-HRN	2¾ T	2.750	70.0									
	H7700-PP-HCP-HRN	2¾ T	2.750	70.0									
	H7730-PP-HCP-HRN	2½ P	2.875	73.0									
H8	H7761-PP-HCP-HRN	3 T	3.000	76.1	8.000	6.625	6.62	0.500	3.000	0.187	1.000	1.188	¾-10 7¼Lg
	H7889-PP-HCP-HRN	3 P	3.500	88.9									
	H8102-PP-HCP-HRN	4 T	4.000	102.0									
H9	H8114-PP-HCP-HRN	4 P	4.500	114.0	9.750	7.875	8.06	0.500	3.500	0.187	1.062	1.375	¾-9 8½Lg
	H9127-PP-HCP-HRN	5 T	5.000	127.0									
	H9133-PP-HCP-HRN	5¼ T	5.250	133.0									
	H9141-PP-HCP-HRN	5 P	5.563	141.0									
	H9152-PP-HCP-HRN	6 T	6.000	152.0									
H10	H9168-PP-HCP-HRN	6 P	6.625	168.0	12.500	10.625	10.43	0.750	4.500	0.187	1.250	1.375	1½-7 11½Lg
	H10168-PP-HCP-HRN	6 P	6.625	168.0									
	H10203-PP-HCP-HRN	8 T	8.000	203.0									
	H10219-PP-HCP-HRN	8 P	8.625	219.0									

* Specify clamp material: PP = Polypropylene, SP = Santoprene, AL = Aluminum, PA = Polyamide
Above kits include two (2) clamp halves, one (1) cover plate, two (2) rail nuts and two (2) hex bolts

CLAMP PARTS



* Specify clamp material: PP = Polypropylene, SP = Santoprene, AL = Aluminum, PA = Polyamide

THERMAL PROPERTIES

Polypropylene (PP)	
Temperature Range (Brief Exposure)	-22°F to + 215°F (-30°C to + 102°C)
Temperature Range (Continuous Exposure)	-22°F to + 194°F (-30°C to + 90°C)
Santoprene (SP)	
Temperature Range (Brief Exposure)	-40°F to + 302°F (-40°C to + 150°C)
Temperature Range (Continuous Exposure)	-40°F to + 275°F (-40°C to + 135°C)
Aluminum (AL)*	
Temperature Range (Brief Exposure)	-65°F to + 750°F (-54°C to + 399°C)
Temperature Range (Continuous Exposure)	-65°F to + 500°F (-54°C to + 260°C)
Polyamide (PA)	
Temperature Range (Brief Exposure)	-40°F to + 356°F (-40°C to + 180°C)
Temperature Range (Continuous Exposure)	-40°F to + 284°F (-40°C to + 140°C)

† Tensile and fatigue strength rise as temperature decreases. The tensile elongation decreases as the temperature decreases.



Email - Sales@bullionpipe.com Web:- www.bullionpipe.com

TWIN SERIES CLAMP PARTS

CLAMPS

Twin Series Clamps will accommodate pipes, tubes and hoses ranging in size from ¼" to 1½" O.D. In addition to shock and vibration absorption properties, the Twin Clamp can support multiple tubes or hose and provide a close center distance. Typical installations: Off-highway equipment, agricultural equipment, material handling, construction, food processing plants, etc. Clamps for tube and metric sizes, other than those listed, can be furnished upon request. A basic clamp assembly consists of a weld plate, two (2) identical clamp halves, an arched cover plate and one (1) hex bolt. Twin weld and cover plates are furnished in plain carbon steel or zinc plated finish. Zinc plated will be furnished as the norm. Group T1 is supplied with 1/4-20 hardware. Group T2 - T5 can be supplied with either 5/16-18 or 3/8-18 hardware. 5/16-18 hardware will be supplied as the norm. Clamp units for lines with two different diameters can be provided upon request.

Clamp halves are made of Polypropylene (PP) in green or black and Santoprene (SP) in tan. Please refer to standard series for plastic properties.

Insert Material
PP (Polypropylene)
SP (Santoprene)

Temperature Range
-22 to 212 deg F.
-40 to 302 deg F.

Colour
Green/Black
Tan



CLAMP INSERTS

GROUP	SIZE	CLAMP OD	MM	PART NO.*
1	¼ T	0.250	6.4	T1064-PP
	¾ T	0.375	9.5	T1095-PP
2	¼ T	0.250		T2025-PP
	¾ T	0.375		T2038-PP
	½ T	0.500	12.7	T2127-PP
	¾ P	0.540	13.7	T2137-PP
		0.550	14.0	T2140-PP
	¾ T	0.625	16.0	T2160-PP
3		0.675	17.1	T2171-PP
			18.0	T2180-PP
	¾ T	0.750	19.0	T3190-PP
			20.0	T3200-PP
4	½ P	0.840	21.3	T3213-PP
	¾ T	0.875	22.2	T3222-PP
	1 T	1.000	25.4	T3254-PP
5	¾ T	0.875		T4087-PP
	1 T	1.000	25.4	T4254-PP
	¾ P	1.050	26.9	T4269-PP
			28.0	T4280-PP
			30.0	T4300-PP
5	1¼ T	1.250	32.0	T5320-PP
	1 P	1.315	33.7	T5337-PP
			35.0	T5350-PP
	1½ T	1.500	38.0	T5380-PP
	1.660	42.4	T5424-PP	

*Specify clamp material: PP = Polypropylene, SP = Santoprene

TWIN COVER PLATE	TWIN WELD PLATE	HEX BOLT
TCP-1	TWP-1	HEX-T1
TCP-2	TWP-2	HEX-T2
TCP-3	TWP-3	HEX-T3
TCP-4	TWP-4	HEX-T4
TCP-5	TWP-5	HEX-T5

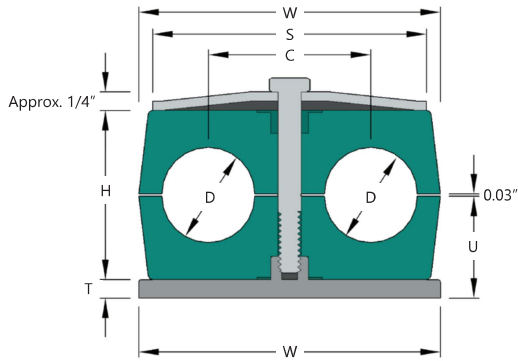
TWIN SAFETY PLATE	TWIN STACKING BOLT	RAIL NUT
TSP-1	TSB-1	LRN-1-7 USED WITH GROUP TWIN 1 CLAMPS ONLY TRN-2-5 GROUP TWIN 2-5
TSP-2	TSB-2	
TSP-3	TSB-3	
TSP-4	TSB-4	
TSP-5	TSB-5	

BULLION
Pipe & Tubes LLP

Email - Sales@bullionpipe.com Web:- www.bullionpipe.com

TWIN SERIES PIPE & TUBE CLAMPS

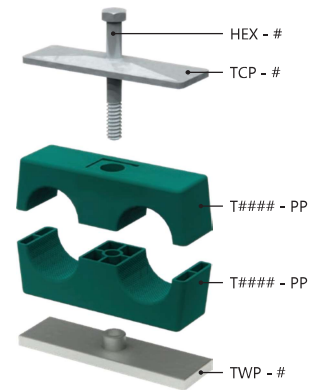
CLAMPS



CLAMP INSERTS

GROUP	PART NO.	PIPE/TUBE SIZE (INCHES)	CLAMP O.D. D	PIPE/TUBE SIZE (MM)	W	H	C	U	S	BOLT SIZE
T1	T1064-PP-TCP-TWP	¼ T	0.250"	6.4	1.437	0.812	0.781	0.562	1.343	¼-20 1-Lg
	T1095-PP-TCP-TWP	⅜ T	0.375"	9.5						
T2	T2025-PP-TCP-TWP	¼ T	0.250"		2.187	1.000	1.250	0.687	2.031	⅝-18 1¼-Lg
	T2038-PP-TCP-TWP	⅜ T	0.375"							
	T2127-PP-TCP-TWP	½ T	0.500"	12.7						
	T2137-PP-TCP-TWP	¼ P	0.540"	13.7						
	T2140-PP-TCP-TWP		0.550"	14.0						
	T2160-PP-TCP-TWP	⅝ T	0.625"	16.0						
	T2171-PP-TCP-TWP	¾ P	0.675"	17.1						
	T2180-PP-TCP-TWP			18.0						
T3	T3190-PP-TCP-TWP	¾ T	0.750"	19.0	2.687	1.500	1.437	0.937	2.562	⅝-18 1¾-Lg
	T3200-PP-TCP-TWP			20.0						
	T3213-PP-TCP-TWP	½ P	0.840"	21.3						
	T3222-PP-TCP-TWP	⅞ T	0.875"	22.2						
T4	T3254-PP-TCP-TWP	1 T	1.000"	25.4	3.187	1.750	1.812	1.062	2.875	⅝-18 2-Lg
	T4087-PP-TCP-TWP	⅞ T	0.875"							
	T4254-PP-TCP-TWP	1 T	1.000"	25.4						
	T4269-PP-TCP-TWP	¾ P	1.050"	26.9						
	T4280-PP-TCP-TWP			28.0						
T4300-PP-TCP-TWP			30.0							
T5	T5320-PP-TCP-TWP	1¼ T	1.250"	32.0	4.062	2.250	2.187	1.312	3.687	⅝-18 2½-Lg
	T5337-PP-TCP-TWP	1 P	1.315"	33.7						
	T5350-PP-TCP-TWP			35.0						
	T5380-PP-TCP-TWP	1½ T	1.500"	38.1						
	T5424-PP-TCP-TWP	1¼ P	1.660"	42.4						

CLAMP PARTS



THERMAL PROPERTIES

Polypropylene (PP)

Temperature Range (Brief Exposure)	-22°F to + 215°F (-30°C to + 102°C)
Temperature Range (Continuous Exposure)	-22°F to + 194°F (-30°C to + 90°C)

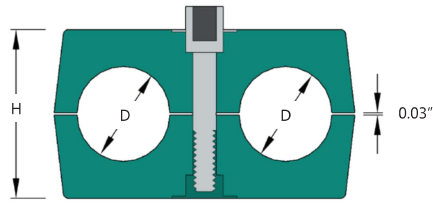
Above kits include two (2) clamp halves, one (1) cover plate, one (1) weld plate and one (1) hex bolt

BULLION
Pipe & Tubes LLP

Email - Sales@bullionpipe.com Web:- www.bullionpipe.com

TWIN SERIES PIPE & TUBE STACKING CLAMPS

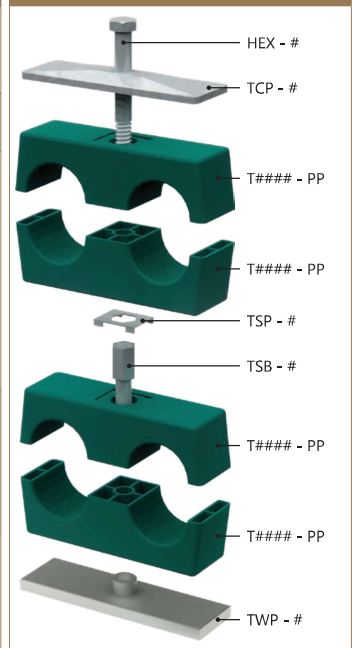
CLAMPS



CLAMP INSERTS

GROUP	PART NO.	PIPE/ TUBE SIZE (INCHES)	CLAMP O.D. D	PIPE/ TUBE SIZE (MM)	W	H	C	U	S	BOLT SIZE
T1	T1064-PP-TSB-TSP	¼ T	0.250"	6.4	1.437	0.812	0.781	0.562	1.343	¼-20 1-Lg
	T1095-PP-TSB-TSP	⅜ T	0.375"	9.5						
T2	T2025-PP-TSB-TSP	¼ T	0.250"		2.187	1.000	1.250	0.687	2.031	⅝-18 1¼-Lg
	T2038-PP-TSB-TSP	⅜ T	0.375"							
	T2127-PP-TSB-TSP	½ T	0.500"	12.7						
	T2137-PP-TSB-TSP	¼ P	0.540"	13.7						
	T2140-PP-TSB-TSP		0.550"	14.0						
	T2160-PP-TSB-TSP	⅝ T	0.625"	16.0						
	T2171-PP-TSB-TSP	¾ P	0.675"	17.1						
	T2180-PP-TSB-TSP			18.0						
T3	T3190-PP-TSB-TSP	¾ T	0.750"	19.0	2.687	1.500	1.437	0.937	2.562	⅝-18 1¾-Lg
	T3200-PP-TSB-TSP			20.0						
	T3213-PP-TSB-TSP	½ P	0.840"	21.3						
	T3222-PP-TSB-TSP	⅞ T	0.875"	22.2						
T4	T3254-PP-TSB-TSP	1 T	1.000"	25.4	3.187	1.750	1.812	1.062	2.875	⅝-18 2-Lg
	T4087-PP-TSB-TSP	⅞ T	0.875"							
	T4254-PP-TSB-TSP	1 T	1.000"	25.4						
	T4269-PP-TSB-TSP	¾ P	1.050"	26.9						
	T4280-PP-TSB-TSP			28.0						
T4300-PP-TSB-TSP			30.0							
T5	T5320-PP-TSB-TSP	1¼ T	1.250"	32.0	4.062	2.250	2.187	1.312	3.687	⅝-18 2½-Lg
	T5337-PP-TSB-TSP	1 P	1.315"	33.7						
	T5350-PP-TSB-TSP			35.0						
	T5380-PP-TSB-TSP	1½ T	1.500"	38.1						
	T5424-PP-TSB-TSP	1¼ P	1.660"	42.4						

CLAMP PARTS



THERMAL PROPERTIES

Polypropylene (PP)

Temperature Range (Brief Exposure)	-22°F to + 215°F (-30°C to + 102°C)
Temperature Range (Continuous Exposure)	-22°F to + 194°F (-30°C to + 90°C)

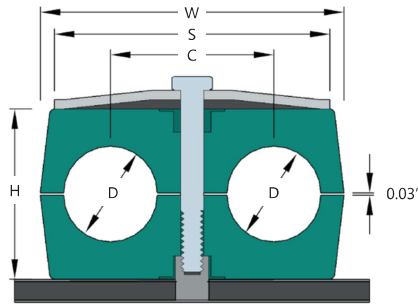
Above kits include two (2) clamp halves, one (1) twin stacking bolt and one (1) twin safety plate

BULLION
Pipe & Tubes LLP

Email - Sales@bullionpipe.com Web:- www.bullionpipe.com

TWIN SERIES PIPE & TUBE RAIL NUT CLAMPS

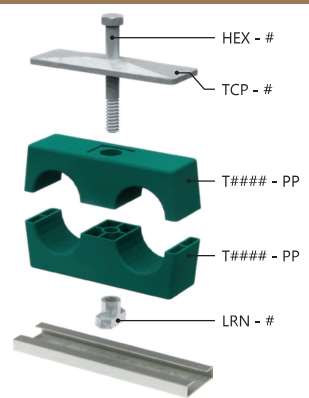
CLAMPS



CLAMP INSERTS

GROUP	PART NO.	PIPE/ TUBE SIZE (INCHES)	CLAMP O.D. D	PIPE/ TUBE SIZE (MM)	W	H	C	U	S	BOLT SIZE
T1	T1064-PP-TCP-TRN	¼ T	0.250"	6.4	1.437	0.812	0.781	0.562	1.343	¼-20 1-Lg
	T1095-PP-TCP-TRN	⅜ T	0.375"	9.5						
T2	T2025-PP-TCP-TRN	¼ T	0.250"	12.7	2.187	1.000	1.250	0.687	2.031	⅝-18 1¼-Lg
	T2038-PP-TCP-TRN	⅜ T	0.375"							
	T2127-PP-TCP-TRN	½ T	0.500"							
	T2137-PP-TCP-TRN	¼ P	0.540"							
	T2140-PP-TCP-TRN		0.550"							
	T2160-PP-TCP-TRN	⅝ T	0.625"							
	T2171-PP-TCP-TRN	¾ P	0.675"							
	T2180-PP-TCP-TRN		18.0							
T3	T3190-PP-TCP-TRN	¾ T	0.750"	19.0	2.687	1.500	1.437	0.937	2.562	⅝-18 1¾-Lg
	T3200-PP-TCP-TRN		20.0							
	T3213-PP-TCP-TRN	½ P	0.840"							
	T3222-PP-TCP-TRN	⅞ T	0.875"							
T4	T3254-PP-TCP-TRN	1 T	1.000"	25.4	3.187	1.750	1.812	1.062	2.875	⅝-18 2-Lg
	T4087-PP-TCP-TRN	⅞ T	0.875"							
	T4254-PP-TCP-TRN	1 T	1.000"							
	T4269-PP-TCP-TRN	¾ P	1.050"							
	T4280-PP-TCP-TRN		28.0							
T5	T4300-PP-TCP-TRN		30.0	32.0	4.062	2.250	2.187	1.312	3.687	⅝-18 2½-Lg
	T5320-PP-TCP-TRN	1¼ T	1.250"							
	T5337-PP-TCP-TRN	1 P	1.315"							
	T5350-PP-TCP-TRN		35.0							
	T5380-PP-TCP-TRN	1½ T	1.500"							
	T5424-PP-TCP-TRN	1¼ P	1.660"	42.4						

CLAMP PARTS



THERMAL PROPERTIES

Polypropylene (PP)

Temperature Range (Brief Exposure)	-22°F to + 215°F (-30°C to + 102°C)
Temperature Range (Continuous Exposure)	-22°F to + 194°F (-30°C to + 90°C)

Above kits include two (2) clamp halves, one (1) cover plate, one (1) rail nut (1) hex bolt

BULLION
Pipe & Tubes LLP

Email - Sales@bullionpipe.com Web:- www.bullionpipe.com

BULLION **N**

Pipe & Tubes LLP

Email - Sales@bullionpipe.com Web:- www.bullionpipe.com